

JVC

2 Megapixel 21.3" Color Monitor

CCL214



2 Megapixel Color Monitor

Cost effective 2MP color monitor
in pursuit of enhanced functions

21.3"

500
cd/m²

1200:1

16Bit
LUT

DisplayPort
&
DVI-D

Calibration
Function

Color
Front
Sensor

Uniformity
Equalizer

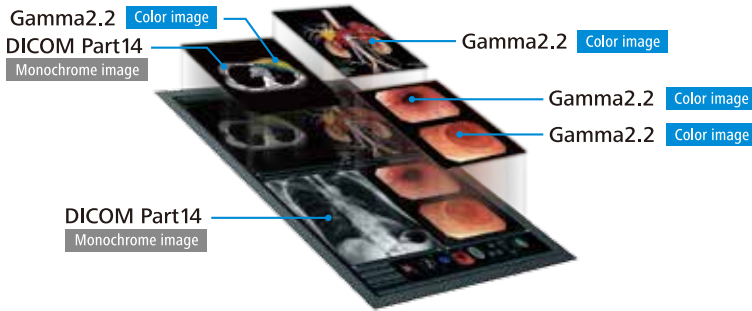
Dynamic
Gamma

Auto
Text
Mode

LED
Backlight

Dynamic Gamma

Color images are automatically recognized to provide optimized contrast, brightness and gamma. No user intervention is required.



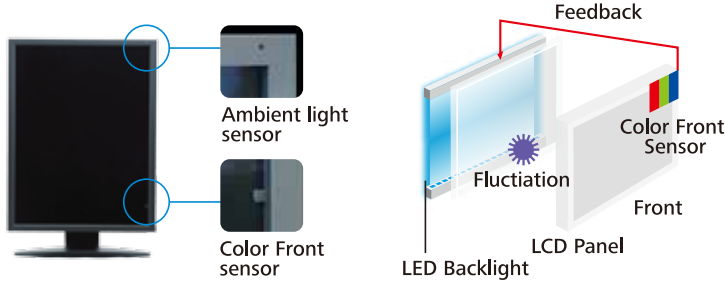
Auto Text Mode

Automatic brightness control for text data to reduce eye strain for patient lists and reporting application.



Luminance Stabilizing System λ-Sentinel

With two built-in sensors for luminance stabilization and ambient light measurement, CCL214 consistently delivers unmatched image quality.



Uniformity Equalizer

Luminance and color uniformity correction system produces stable images across the screen.

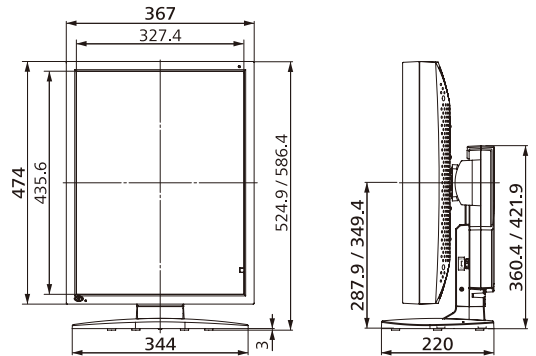
DICOM Conformance Check

User friendly OSD functions include DICOM conformance check function.

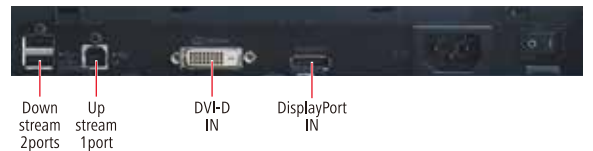
Specifications

	Model Name	CCL214
LCD Panel	Technology	21.3" color TFT IPS technology
	Display Area	324 mm × 432 mm
	Pixel Pitch	0.270 mm × 0.270 mm
	Contrast Ratio	1200 : 1 (typ.)
	Maximum Luminance	500 cd/m ² (typ.) 280 cd/m ² · 250 cd/m ² (calibrated)
Visual Performance	Viewing Angle	178° vertical and horizontal
	Native Resolution	1200 × 1600
Interface	Input Signal	DVI-D (DVI 1.0 compliant) DisplayPort (DisplayPort 1.1a compliant)
	Plug and Play	DDC2B compliant
Input Power Supply	Input Power Supply	100 V - 240 V 50 / 60 Hz
	Maximum Power Consumption	48 W (typ.)
Features	Calibration Control	Luminance, Gamma, Color temperature Capable of storing 3 sets of LUT (Optional calibration kit is required)
	OSD Information Display	Model name, Serial No., Total operating time, Calibration settings (Operating time since last calibration, Luminance, Gamma), Current Luminance, Color temperature and Ambient light, DICOM conformance
	USB Hub	USB Rev.2.0 compliant, Self-powered USB upstream connector (×1), USB downstream connector (×2)
	Other Features	Uniformity Equalizer, Hardware pivot, LED indicator, Advanced power management, Dynamic Gamma, Auto text mode, λ-Sentinel, Multiple LUT, Self DICOM check
Approvals		ANSI/AAMI ES60601-1 (2005) + A1 (2012), CAN/CSA-C22.2 No. 60601-1 (2014), CE (EN60601-1, EN60601-1-2), RCM, FCC Part15 subpart B Class B, ICES-003-B, VCCI-B, FDA510(k), J-Moss, RoHS
Physical Characteristics	Dimensions (W × H × D)	Landscape : 474 mm × 471.4 / 532.9 mm × 220 mm Portrait : 367 mm × 524.9 / 586.4 mm × 220 mm
	Weight	11.1 kg
	Tilt Stand	Tilt, Swivel, Portrait / Landscape
	Mount	VESA standard (100 mm × 100 mm)
	Security Slot	Anti-theft security slots (display and tilt stand)
Accessories		Power cord, DVI cable, USB cable, User manual

Dimensions (mm)



Interface



●“JVC” is a brand of medical and industrial monitors manufactured and sold by JVCKENWOOD Corporation. ●Company names and product names are the registered trademarks of the respective companies. ●Product specifications and appearance are subject to change without notice. ●Colors in photographs may differ from actual colors due to the printing process. ●Images on screens are simulated.

 Safety Precautions	<ul style="list-style-type: none"> ●Please read the user's manual for safe and proper use. ●Do not expose the product to dust, moisture, steam, or oily smoke. It could cause fire, electric shock, or a failure.
Healthcare Business Division JVCKENWOOD Corporation 3-12, Moriya-cho, Kanagawa-ku, Yokohama-shi, Kanagawa, 221-0022, JAPAN TEL: +81-45-450-1908 FAX: +81-45-450-1926 E mail : medical-display.j@jvckenwood.com JVC Healthcare Website : http://healthcare.jvc.com/	

Please contact our distributor below with inquiries and orders.