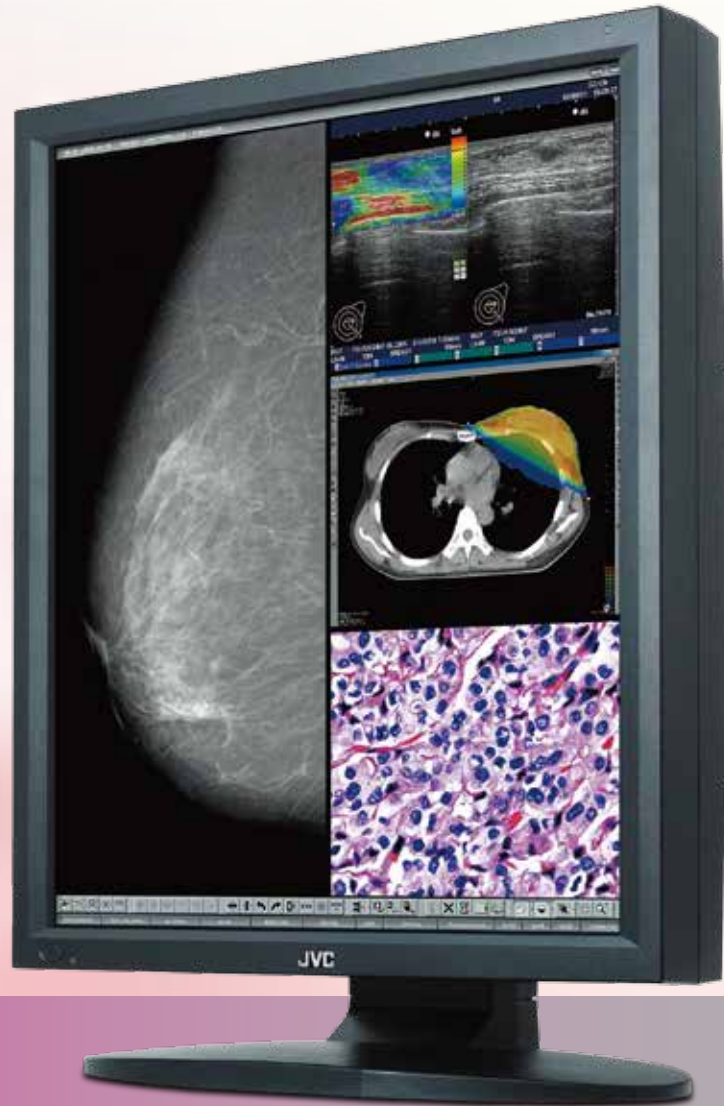


JVC

5 Megapixel 21.3" Color Monitor

CCL 550 i2



5

Megapixel
Color Monitor

Digital Mammography/Tomosynthesis,
US, CT and MRI on a single screen.
All-in-one solution for multi modality visualization.

21.3"

1000
cd/m²

1300:1

16Bit
LUT

DisplayPort
&
DVI-D

Calibration
Function

Color
Front
Sensor

Uniformity
Equalizer

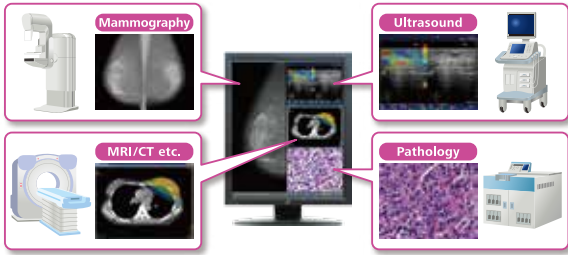
Dynamic
Gamma

Auto
Text
Mode

LED
Backlight

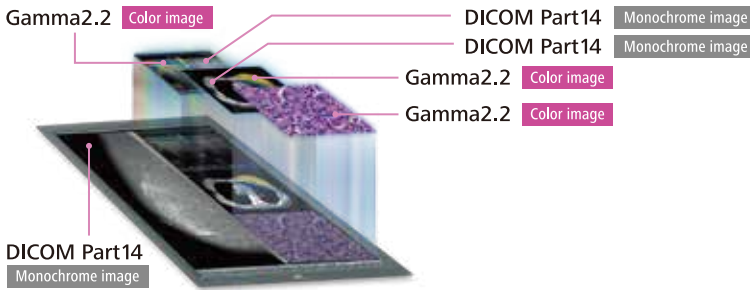
5MP color display for multi modality

CCL550i2 can accommodate images from any modality including Digital Mammography/Tomosynthesis, US, CT, MRI and pathology.



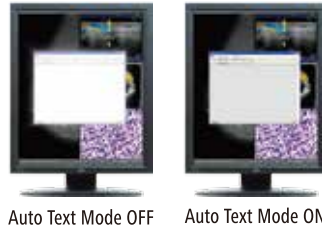
Dynamic Gamma

Color images are automatically recognized to provide optimized contrast, brightness and gamma. No user intervention is required.



Auto Text Mode

Automatic brightness control for text data to reduce eye strain for patient lists and reporting application.



LED Backlight

New LED backlight system provides more stability in images, energy saving and an extended period of lifetime.

Luminance Stabilizing System λ-Sentinel

Front luminance sensor constantly monitors and accurately stabilizes luminance on the screen to optimize image quality.

Uniformity Equalizer

Luminance and color uniformity correction system produces stable images across the screen.

DICOM Conformance Check

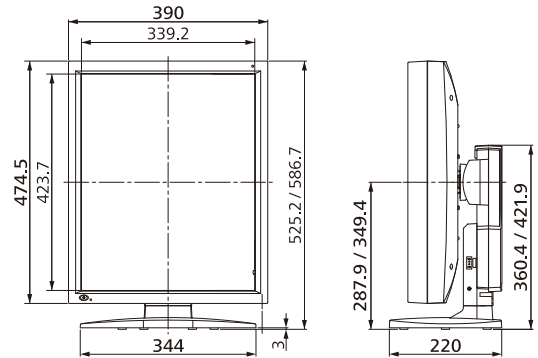
User friendly OSD functions include DICOM conformance check function.

●“JVC” is a brand of medical and industrial monitors manufactured and sold by JVCKENWOOD Corporation. ●Company names and product names are the registered trademarks of the respective companies. ●Product specifications and appearance are subject to change without notice. ●Colors in photographs may differ from actual colors due to the printing process. ●Images on screens are simulated.

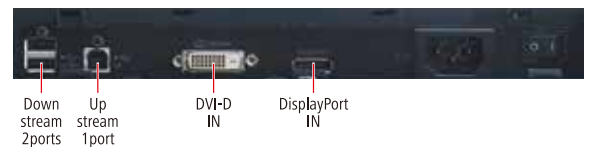
Specifications

Model Name		CCL550i2/F : Protective Filter CCL550i2/N : No Protective Filter
LCD Panel	Technology	21.3" color TFT IPS technology
	Display Area	337.92 mm × 422.4 mm
	Pixel Pitch	0.165 mm × 0.165 mm
	Contrast Ratio	1300 : 1 (typ.)
	Maximum Luminance	1000 cd/m ² (typ.) 500 cd/m ² · 410 cd/m ² (calibrated)
	Viewing Angle	176° vertical and horizontal
Visual Performance	Native Resolution	2048 × 2560
	Display Colors	16.77 million colors from a palette of 280 trillion colors 1.07 billion colors with DisplayPort and 10-bit viewer
Interface	Input Signal	DVI-D (DVI 1.0 compliant) DisplayPort (DisplayPort 1.1a compliant)
	Plug and Play	DDC2B compliant
Input Power Supply	Input Power Supply	100 V - 240 V 50 / 60 Hz
	Maximum Power Consumption	95W (typ.)
Features	Calibration Control	Luminance, Gamma, Color temperature Capable of storing 3 sets of LUT (Optional Calibration Kit is required)
	OSD Information Display	Model name, Serial No., Total operating time, Calibration settings (Operating time since last calibration, Luminance, Gamma), Current luminance, Color temperature and Ambient light, DICOM conformance
	USB Hub	USB Rev.2.0 compliant, Self-powered USB upstream connector (×1), USB downstream connector (×2)
	Other Features	Uniformity Equalizer, Hardware pivot, LED indicator, Advanced power management, Dynamic Gamma, Auto text mode, λ-Sentinel, Multiple LUT, Self DICOM check
Approvals		ANSI/AAMI ES60601-1 (2005) + A1 (2012), CAN/CSA-C22.2 No. 60601-1 (2014), CE (EN60601-1, EN60601-1-2), FCC Part15 subpart B Class B, ICES-003-B, VCCI-B, FDA510(k) (for Breast Tomosynthesis and Mammography), RCM, J-Moss, RoHS
Physical Characteristics	Dimensions (W × H × D)	Landscape : 474.5 mm × 483.1 / 544.6 mm × 220 mm Portrait : 390 mm × 525.2 / 586.7 mm × 220 mm
	Weight	approx. 12 kg
	Tilt Stand	Tilt, Swivel, Portrait / Landscape
	Mount	VESA standard (100 mm × 100 mm)
	Security Slot	Anti-theft security slots (display and tilt stand)
Accessories		Power cord, DVI cable, DisplayPort cable, USB cable, User manual

Dimensions (mm)



Interface



Safety Precautions

- Please read the user's manual for safe and proper use.
- Do not expose the product to dust, moisture, steam, or oily smoke. It could cause fire, electric shock, or a failure.

Healthcare Business Division
JVCKENWOOD Corporation
3-12, Moriya-cho, Kanagawa-ku, Yokohama-shi, Kanagawa, 221-0022, JAPAN
TEL: +81-45-450-1908 FAX: +81-45-450-1926
E mail : medical-display.j@jvckenwood.com
JVC Healthcare Website : <http://healthcare.jvc.com/>

Please contact our distributor below with inquiries and orders.