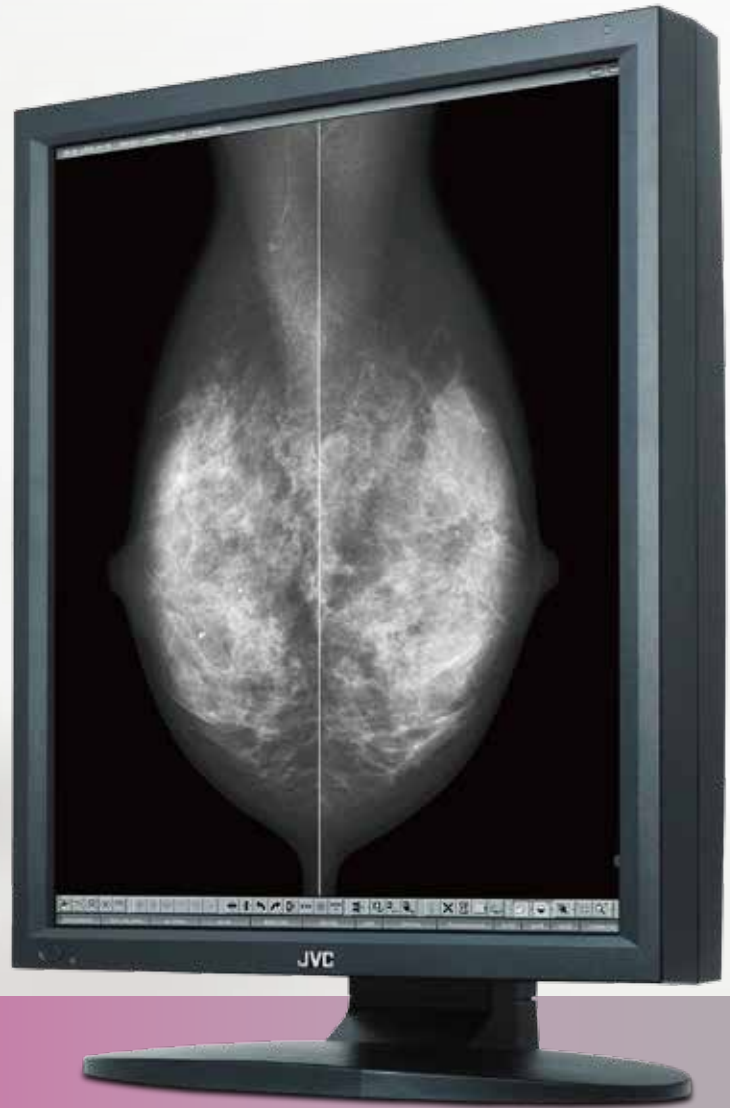


# JVC

5 Megapixel 21.3" Monochrome Monitor

# MS 55 i2 plus



**5** Megapixel  
Monochrome  
Monitor

Super High-Bright & unprecedented image quality  
for breast imaging

21.3"

2000  
cd/m<sup>2</sup>

1400:1

16Bit  
LUT

DisplayPort  
&  
DVI-D

Calibration  
Function

Color/  
Monochrome  
Conversion

Uniformity  
Equalizer

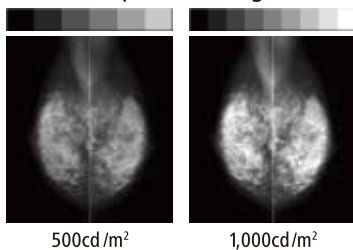
Auto  
Text  
Mode

LED  
Backlight

## Improved Diagnostic Visibility

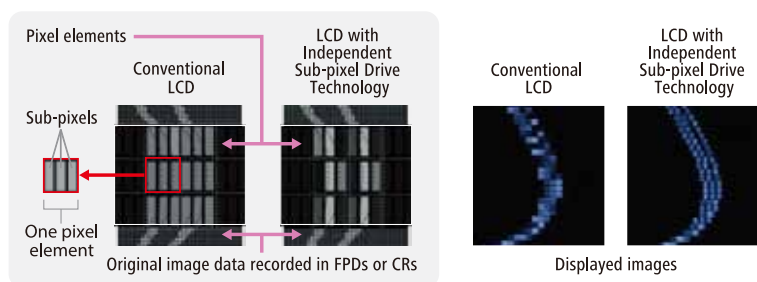
The MS55i2 plus comes with 1,000 cd/m<sup>2</sup> calibration to make it the best solution for breast tomosynthesis imaging. The brighter screen dramatically increases the number of perceptual grayscale steps to improve visibility of microcalcifications, tumors and structures. Mammography diagnostic reading will be much more efficient.

Visual comparison (image)



## Independent Sub-pixel Drive Technology

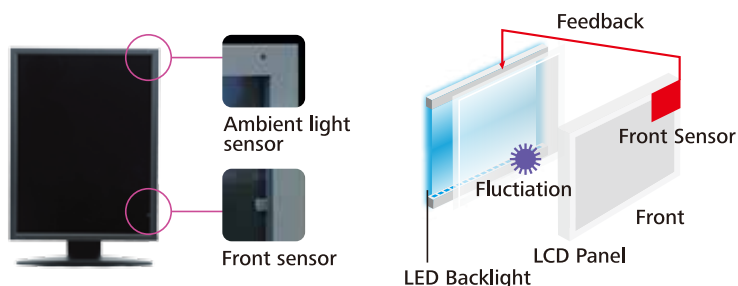
This unique technology enables the MS55i2 plus to render 15 mega sub-pixel images, exceeding the current standards for primary mammography diagnosis. The MS55i2 plus is cleared for FDA 510(k) for the use of Digital Mammography.



\*Customized viewer is required  
\*Independent Sub pixel Drive technology is built in MS series only

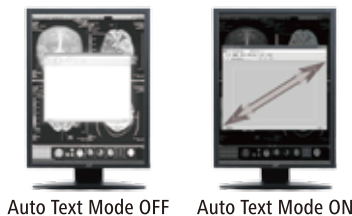
## Luminance Stabilizing System λ-Sentinel

With two built-in sensors for luminance stabilization and ambient light measurement, MS55i2 plus consistently delivers unmatched image quality.



## Auto Text Mode

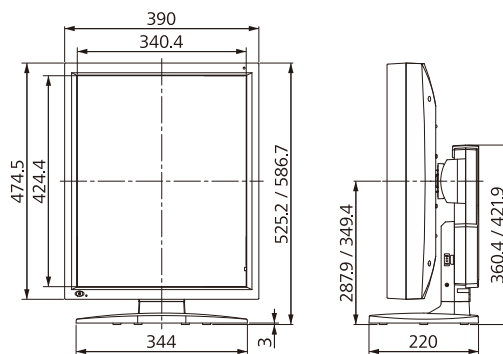
Automatic brightness control for text data to reduce eye strain for patient lists and reporting application.



## Specifications

<b>Model Name</b>		MS55i2 plus/F : Protective Filter MS55i2 plus/N : No AR Coating or Protective Filter
<b>LCD Panel</b>	<b>Technology</b>	21.3" monochrome TFT IPS technology
	<b>Display Area</b>	337.92 mm × 422.4 mm
	<b>Pixel Pitch</b>	0.165 mm × 0.165 mm
	<b>Contrast Ratio</b>	1400 : 1 (typ.)
	<b>Maximum Luminance</b>	2000 cd/m <sup>2</sup> (typ.) 1000 cd/m <sup>2</sup> · 500 cd/m <sup>2</sup> (calibrated)
	<b>Viewing Angle</b>	176° vertical and horizontal
<b>Visual Performance</b>	<b>Native Resolution</b>	2048 × 2560 (Independent Sub-pixel Drive technology ON : 2048 × 7680)
	<b>Display Colors</b>	256 shades of grayscale are simultaneously displayed from a palette of 12,277 grayscale steps *1024 or 10-bit shades of grayscale with DisplayPort and 10-bit viewer *1276 shades of grayscale by using Independent Sub-pixel Drive technology
<b>Interface</b>	<b>Input Signal</b>	DVI-D (DVI 1.0 compliant) DisplayPort (DisplayPort 1.1a compliant)
	<b>Plug and Play</b>	DDC2B compliant
<b>Input Power Supply</b>	<b>Input Power Supply</b>	100 V - 240 V 50 / 60 Hz
	<b>Maximum Power Consumption</b>	75 W (typ.)
<b>Features</b>	<b>Calibration Control</b>	Luminance, Gamma Capable of storing 3 sets of LUT (Optional Calibration kit is required)
	<b>OSD Information Display</b>	Model name, Serial No., Total operating time, Calibration settings (Operating time since last calibration, Luminance, Gamma), Current luminance and Ambient light, DICOM conformance
	<b>USB Hub</b>	USB Rev.2.0 compliant, Self-powered USB upstream connector (×1), USB downstream connector (×2)
	<b>Other Features</b>	Uniformity Equalizer, Hardware pivot, LED indicator, Advanced power management, λ-Sentinel, Multiple LUT, Independent Sub-pixel Drive technology, Self DICOM check, Auto text mode
<b>Approvals</b>		ANSI/AAMI ES60601-1 (2005) + A1 (2012), CAN/CSA-C22.2 No. 60601-1 (2014), CE (EN60601-1, EN60601-1-2), RCM, FCC Part15 subpart B Class B, ICES-003-B, VCCI-B, CCC, FDA510(k), J-Moss, RoHS
<b>Physical Characteristics</b>	<b>Dimensions (W × H × D)</b>	Landscape : 474.5 mm × 486.1 / 547.6 mm × 220 mm Portrait : 390 mm × 525.2 / 586.7 mm × 220 mm
	<b>Weight</b>	approx. 13 kg
	<b>Tilt Stand</b>	Tilt, Swivel, Portrait / Landscape
	<b>Mount</b>	VESA standard (100 mm × 100 mm)
	<b>Security Slot</b>	Anti-theft security slots (display and tilt stand)
<b>Accessories</b>		Power cord, DVI cable, DisplayPort cable, USB cable, User manual

## Dimensions (mm)



## Interface



●“JVC” is a brand of medical and industrial monitors manufactured and sold by JVCKENWOOD Corporation. ●Company names and product names are the registered trademarks of the respective companies. ●Product specifications and appearance are subject to change without notice. ●Colors in photographs may differ from actual colors due to the printing process. ●Images on screens are simulated.

**Safety Precautions**

- Please read the user's manual for safe and proper use.
- Do not expose the product to dust, moisture, steam, or oily smoke. It could cause fire, electric shock, or a failure.

---

Healthcare Business Division  
JVCKENWOOD Corporation  
3-12, Moriya-cho, Kanagawa-ku, Yokohama-shi, Kanagawa, 221-0022, JAPAN  
TEL: +81-45-450-1908 FAX: +81-45-450-1926  
E mail : medical-display.j@jvckenwood.com  
JVC Healthcare Website : <http://healthcare.jvc.com/>

Please contact our distributor below with inquiries and orders.